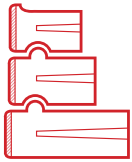




M FEATURES

- Trapezoidal shape allows convex and concave radii (14.5 radius)
- 5.5 inch deep texture
- Twenty individual face molds offer up to 115 square feet of non-repeating patterns
- Wet-cast concrete gives a greater level of detail and durability
- Block can be field stained for desired color



Gravity Walls



MSE Walls



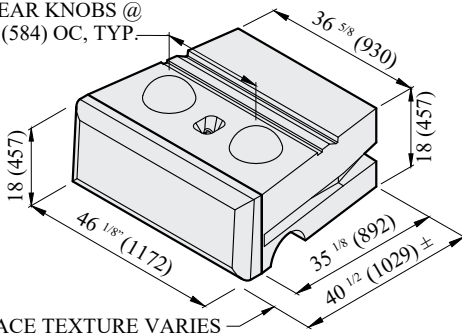
Freestanding Walls

Your Complete Wall Solution - Each block in the Redi-Rock system is available in any texture and can coordinate in the same wall, giving you the flexibility you need.



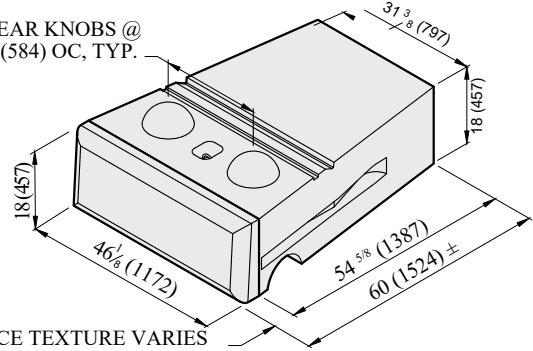
5.75 square feet face - weight varies

SHEAR KNOBS @ 23 (584) OC, TYP.



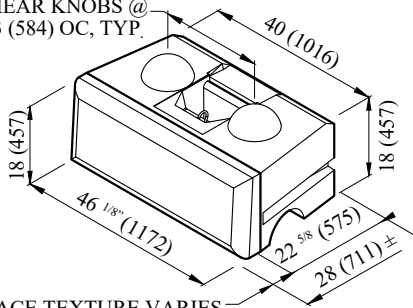
FACE TEXTURE VARIES

SHEAR KNOBS @ 23 (584) OC, TYP.

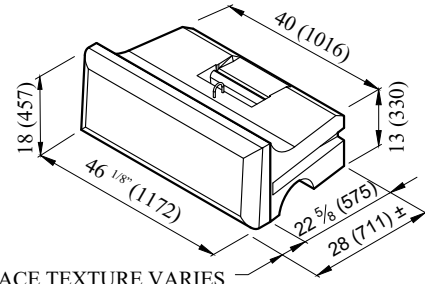


FACE TEXTURE VARIES

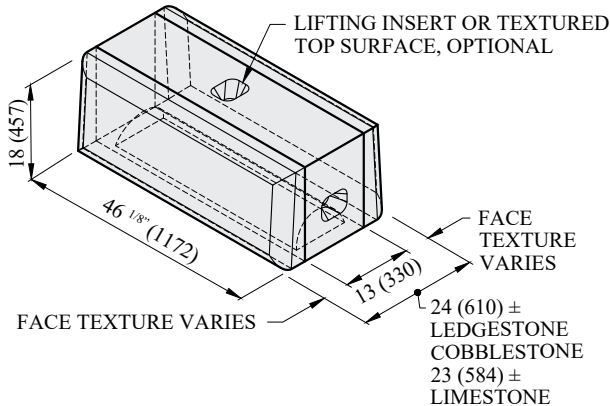
SHEAR KNOBS @ 23 (584) OC, TYP.



FACE TEXTURE VARIES



FACE TEXTURE VARIES



OPTIONAL 4 (102) DIAMETER THRU CENTER HOLE

